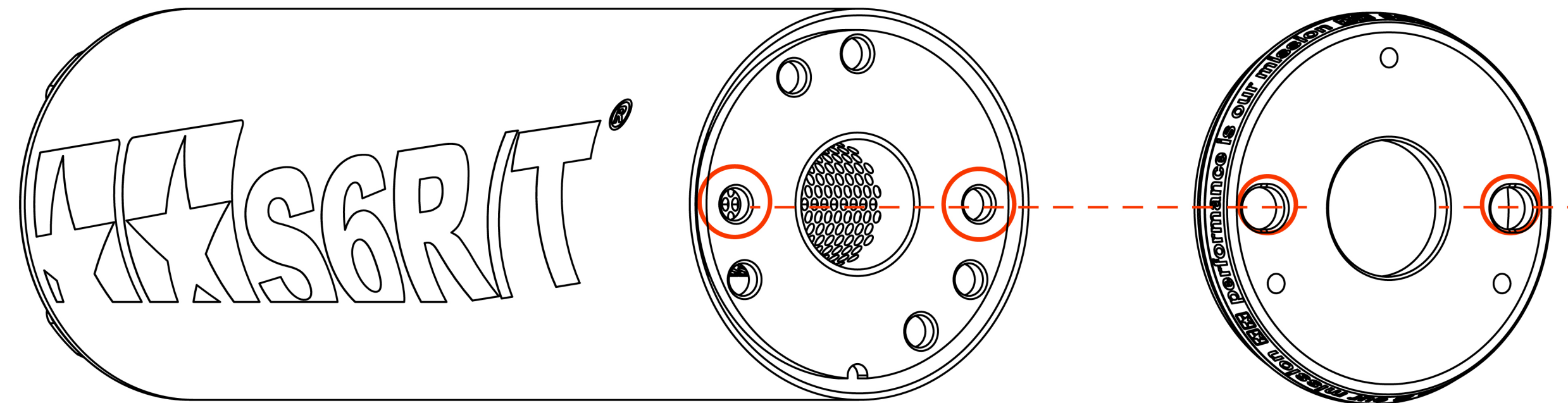
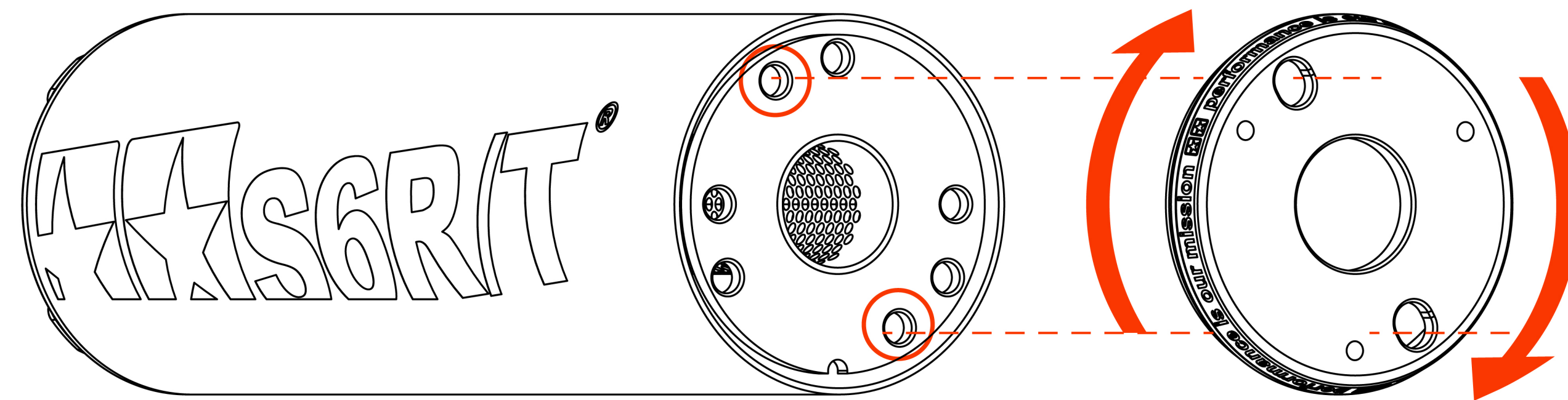


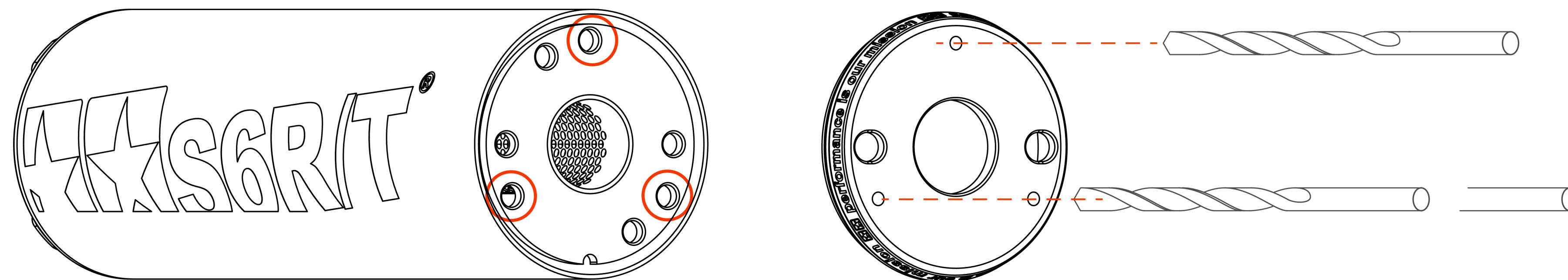
MOUNTING PLATE CONFIGURATIONS



2 HOLES 43MM



2 HOLES 45MM
ROTATE COVER PLATE



3 HOLES ON Ø 46MM
REMOVE THE COVER
DRILL THE 3 HOLES
USE CENTER HOLES AS REFERENCE

S6R/T[®]

BREED OF SPEED
☆☆

CONVERSION FOR
LEFT SIDE USE

S6-96ET040/**

S6-96ET042/**

